



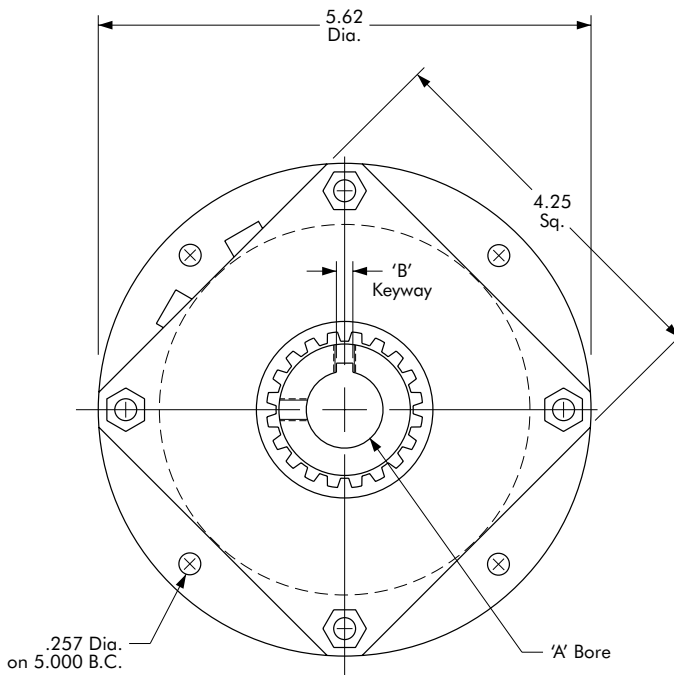
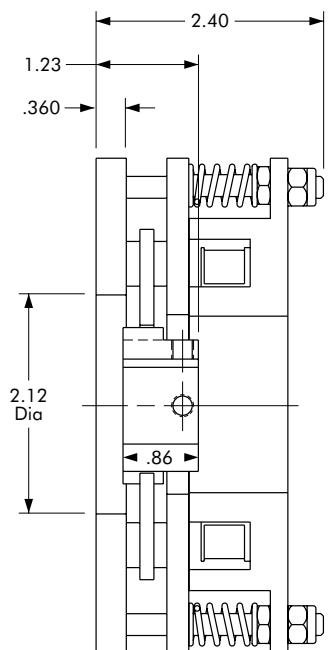
SPRING SET HOLDING BRAKE

Model 304

- Factory Assembled and Tested
- Spline Drive

Customer Shall Maintain:

The concentricity between mounting flange and shaft within .006; the perpendicularity between mounting surface and shaft within .006.



Technical Data

MODEL NO.	WEIGHT LBS.	STATIC TORQUE IN. LBS.	COIL VOLTAGE VDC	*RATED CURRENT AMPS
304	6.12	225	90	.17

* Rated Current for 90v.

"A" Bore	"B" Keyway
1/2"	None
3/4"	.187 x .094
7/8"	.187 x .094
1"	.250 x .125

Order Parts for Assembly No. FC304069

ITEM	QTY.	DESCRIPTION	MODEL NO. 304
A	1	Rotor Hub Assembly 1/2" Plain Bore 3/4" Bore 7/8" Bore 1" Bore	304466-PB 304465-9 304465-10 304465-11
M	1	Spring Set Holding Brake 12 Volts 24 Volts 90 Volts	304070-2 304070-3 304070-4

To order, specify: 1, Spring Set Holding Brake of required voltage
1, Rotor Hub Assembly of required bore size.