



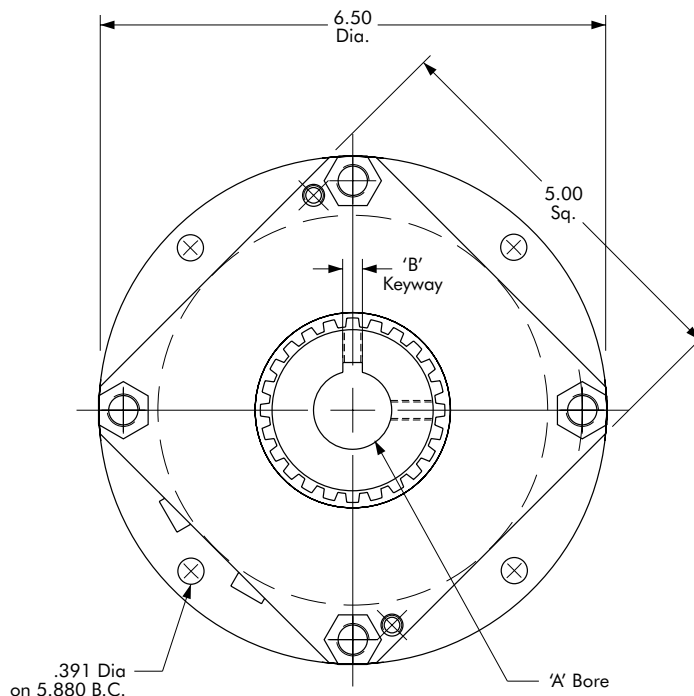
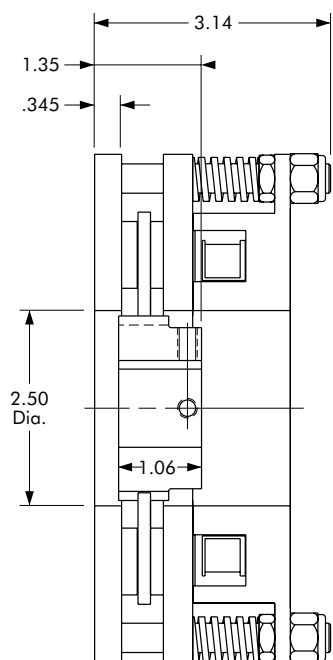
SPRING SET HOLDING BRAKE

Model 305

- Factory Assembled and Tested
- Spline Drive

Customer Shall Maintain:

The concentricity between mounting flange and shaft within .006; the perpendicularity between mounting surface and shaft within .006.



Technical Data

| MODEL NO. | WEIGHT LBS. | STATIC TORQUE IN. LBS. | COIL VOLTAGE VDC | *RATED CURRENT AMPS |
|-----------|-------------|------------------------|------------------|---------------------|
| 305 | 9.75 | 425 | 90 | .427 |

* Rated Current for 90v.

| "A" Bore | "B" Keyway |
|----------|-------------|
| 3/4" | .187 x .094 |
| 7/8" | .187 x .094 |
| 1" | .250 x .125 |
| 1-1/8" | .250 x .125 |
| 1-1/4" | .250 x .125 |

Order Parts for Assembly No. FC305069

| ITEM | QTY. | DESCRIPTION | MODEL NO. 305 |
|------|------|--|--|
| A | 1 | Rotor Hub Assembly 3/4" Plain Bore 3/4" Bore 7/8" Bore 1" Bore 1-1/8" Bore 1-1/4" Bore | 305454-PB 305453-11 305453-12 305453-13 305453-14 305453-15 |
| M | 1 | Spring Set Holding Brake 24 Volts 90 Volts 36 Volts | 305070-3 305070-4 305070-5 |

To order, specify: 1, Spring Set Holding Brake of required voltage
1, Rotor Hub Assembly of required bore size.